

**THT6
THT8
THT10**



TRACTOR TRUCKS





Made for extreme applications.

At Titanium Trucks, we are dedicated to providing consumers with new trucks that are built with efficiency, durability, and longevity in mind.

Reliability combined with the latest fuel economy technology allows our trucks to revolutionize the way you do business.

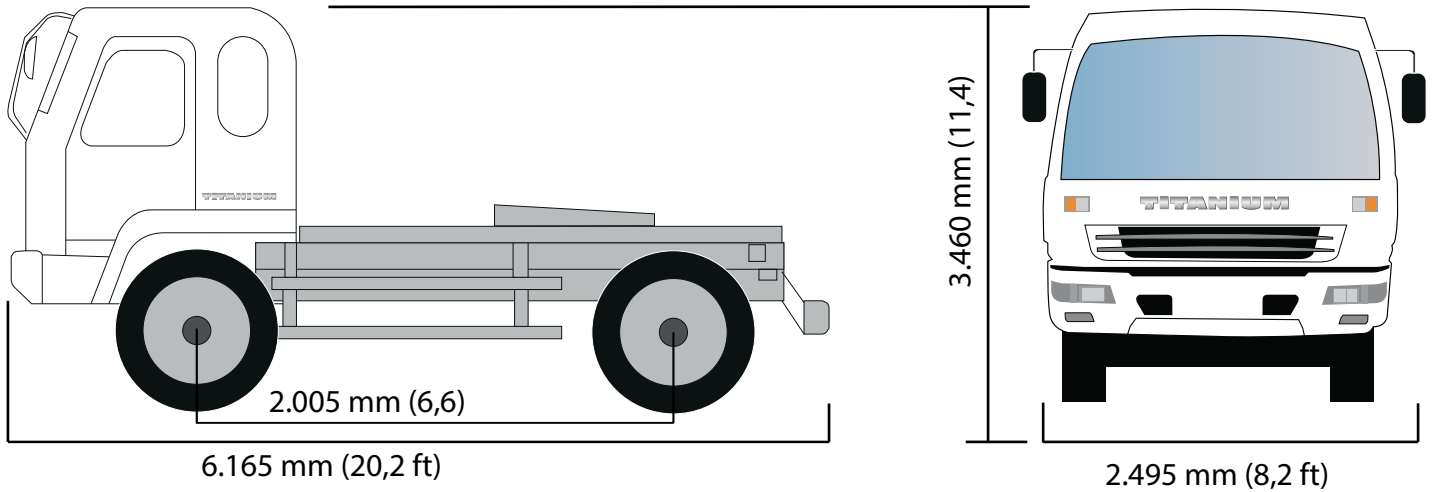
Reducing fuel consumption and saving money. Running clean. With innovative, efficient technologies and alternative fuels, Titanium alternative power trucks offer increased fuel economy and lower emissions. Our new trucks aren't just better for the environment, they're better for business.

The Specifications Are Subject To Change Without Notice. The Pictures May Include Options.
The Actual Color & Appearance Of The Product May Differ From What Is Shown.

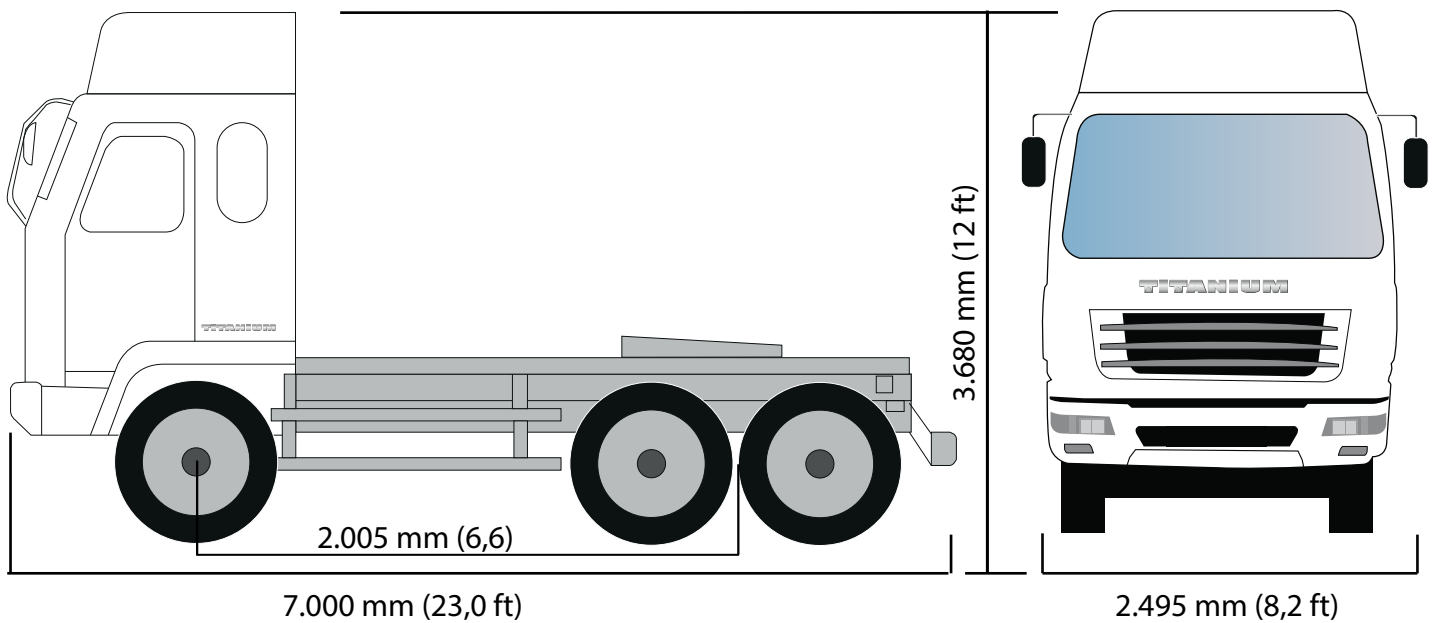
TITANIUM

DIMENSIONS

THT6



THT8 / THT10



The Specifications Are Subject To Change Without Notice. The Pictures May Include Options.
The Actual Color & Appearance Of The Product May Differ From What Is Shown.

TITANIUM

	THT6	THT8	THT10
Gross Combination Weight kg (lb)	43.000(94.799)	45.000(99.208)	47.000(103.617)
Complete Kerb Mass kg (lb)	7.280(16.050)	9.880(21.782)	10.500(23.149)
Max. Laden Mass kg (lb)	35.525(78.319)	38.925(85.815)	41.000(90.390)
Max. Speed kmh (mph)	90(55,9)	98(60,9)	98(60,9)
Chassis Description			
Max. Length mm (ft)	6.165(20,2)	7.000(23,0)	7.000(23,0)
Max. Width mm (ft)	2.495(8,2)	2.495(8,2)	2.495(8,2)
Max. Height mm (ft)	3.680(12,1)	3.460(11,4)	3.460(11,4)
Wheelbase mm (ft)	2.005(6,6)	2.005(6,6)	2.005(6,6)
Engine	320	375	420
Brand	Cummins	Cummins	Cummins
Type	ISL320	L375	L375
Power kW (Hp) @2,100rpm	239(320)	280(375)	313(420)
Max. Torque Nm (lb ft) @1,400rpm	1.550(1.143)	1.450(1.069)	1.450(1.069)
Displacement L (cu. In)	8,9(543,1)	8,9(543,1)	8,9(543,1)
Transmission			
Brand	FAST	FAST	FAST
Type	12JSD180TA	12JSD180TA	12JSD180TA
Clutch Type	Single, Dry Diaphragm Spring	Single, Dry Diaphragm Spring	Single, Dry Diaphragm Spring
Diameter mm (in)	430(16,9)	430(16,9)	430(16,9)
Service Brake	Dual Circuit Pneumatic Brake	Dual Circuit Pneumatic Brake	Dual Circuit Pneumatic Brake
Parking Brake	Energy-Accumulating Spring	Energy-Accumulating Spring	Energy-Accumulating Spring
Auxiliary Brake	Engine Exhaust Brake	Engine Exhaust Brake	Engine Exhaust Brake
Steering	ZF8098	AM90H-S	AM97H-SX
Axles			
Front Axle Ton (lb)	6,5(13.000)	7,5(15.000)	8,2(16.400)
Rear Axle Ton (lb)	13(26.000)	13(26.000)	13(26.000)
Ratio	4,625	4,8	4,8
Tires	315/80R22.5	12.00-20	12.00-20
Fuel Tank Capacity L (gal)	320(84,5)	350(92,5)	350(92,5)
Cab Type	ETX2490 High Roof	ETX2490 High Roof TH	ETX2490 High Roof TH

The Specifications Are Subject To Change Without Notice. The Pictures May Include Options.
The Actual Color & Appearance Of The Product May Differ From What Is Shown.

TITANIUM