

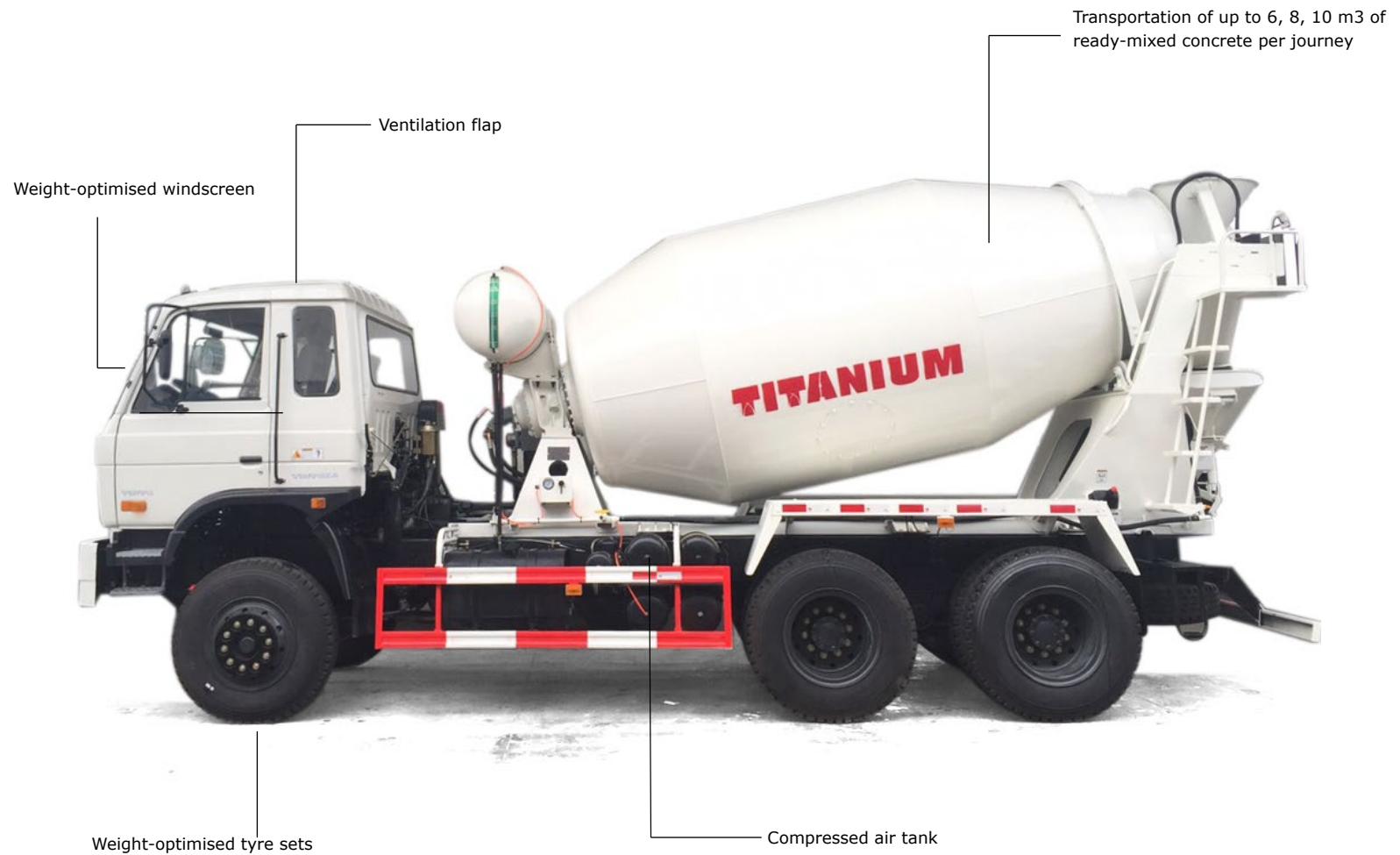
TMT12

TMT14



MIXER TRUCKS





Top workers for top jobs.

Titanium Higher payload, higher efficiency. This is what the Arocs Loader 8 x 4/4 concrete mixers stand for you can use them to transport, 12, 14, m3 of concrete. And the payload-optimised Arocs Loader 4 x 2 semitrailer tractors ensure more economy for example when using a dump semitrailer.

Titanium Trucks is designed for extreme applications in harsh conditions. In other words: through a multitude of technical measures it is even more robust and offers particularly high stability and loadability.

All in all, in the Titanium Trucks you have at your disposal two top workers able to enhance efficiency in construction transport. The best way to obtain more information and your own personal vehicle configuration is to speak to your authorised Titanium dealer.

The Specifications Are Subject To Change Without Notice. The Pictures May Include Options. The Actual Color & Appearance Of The Product May Differ From What Is Shown.

TITANIUM



Made for extreme applications.

With the new Titanium Mixers, construction transport is more efficient than ever before. In order to live up to this standard to an even greater extent even when it comes to payload-sensitive applications such as those involving dump semitrailers and concrete mixers and when working in difficult conditions.

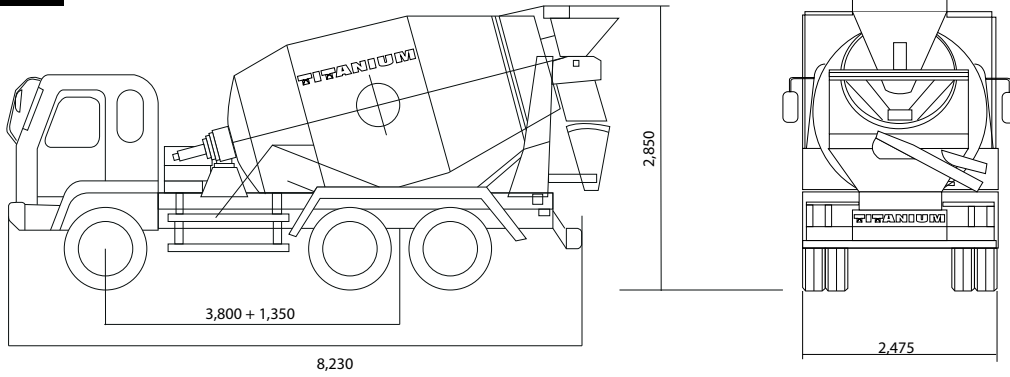
Extreme applications require extreme solutions. Like the Titanium Mixers. With these semitrailer tractors, rigid vehicles, concrete mixers and dump trucks configured ex factory for particularly heavy-duty applications you are far ahead when it comes to stability and loadability.

The Specifications Are Subject To Change Without Notice. The Pictures May Include Options.
The Actual Color & Appearance Of The Product May Differ From What Is Shown.

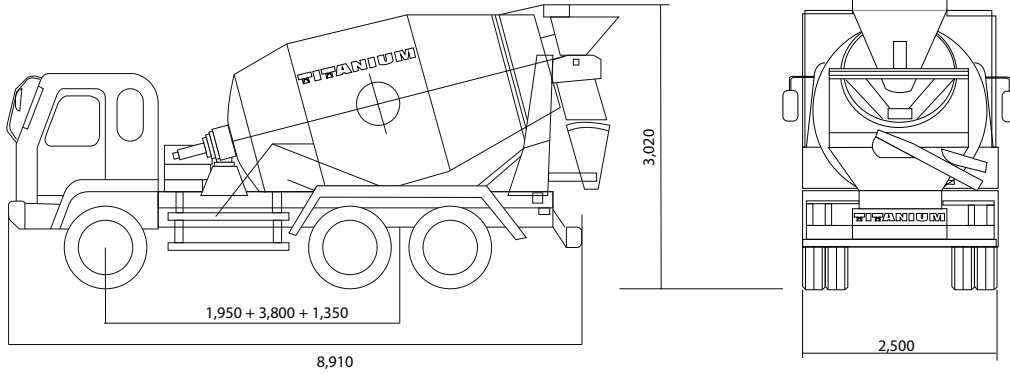
TITANIUM

DIMENSIONS

TMT12



TMT14



	TMT12	TMT14
Drive Type	6X4	8X4
Chassis mass		
Gross Combination Weight kg (lb)	25,000 (55.116)	31.000 (68.343)
Complete Kerb Mass kg (lb)	12,870 (28.373)	13.310 (29.344)
Max. Laden Mass kg (lb)	11,935 (26.312)	17.495 (38.570)
Performance		
Max. Speed km/h (mph)	85 (52,8)	80 (49,7)
Chassis Dimensions		
Max. Length mm (ft)	8.230 (27,0)	8.910 (29,2)
Max. Width mm (ft)	2.470 (8,1)	2.500 (8,2)
Max. Height mm (ft)	2.850 (9,4)	3.020 (9,9)
Wheel Base mm (ft)	3.800+1.350 (12,5 + 4,4)	1.950+3.300+1.350 (6,4+12,5+4,4)

The Specifications Are Subject To Change Without Notice. The Pictures May Include Options. The Actual Color & Appearance Of The Product May Differ From What Is Shown.

TITANIUM

	TMT12	TMT14
Engine		
Brand	Cummins	Cummins
Type	L340 30	L340 30
Power kW (Hp) @1,900rpm	254 (340)	254 (340)
Max. Torque Nm (lb ft) @1,200rpm	1.190 (877,7)	1.190 (877,7)
Displacement L (cu. In)	8.9 (543,1)	8.9 (543,1)
Transmission		
Brand	FAST	FAST
Type	9JS119	9JS119
Control Type	Deputy box control, vice box gas control	Deputy box control, vice box gas control
Gears	Double shaft drive, spindle gear floating	Double shaft drive, spindle gear floating
Clutch		
Type	Push type	Push type
Diameter mm (in)	430 (16,9)	430 (16,9)
Brakes		
Type	Air Brake	Air Brake
Service Brake	With dual-circuit compressed air brake,	With dual-circuit compressed air brake,
Parking Brake	with exhaust assisted braking	with exhaust assisted braking
Auxiliar brake		
Steering		
Type	Power Steering	Power Steering
Axles		
Front Axle Ton (lb)	6.5 (13.000)	5,5 (11.000)
Suspension	1.250 (4,1)	1.500 (4.9)
Rear Axle Ton (lb) x2	13 (26.000)	13 (26.000)
Suspension	2.300 (7,5)	2.030 (6,7)
Ratio	3,535	3,535
Tires		
Type	11.00R-20 Steel wire tyre	11.00R-20 Steel wire tyre
Quantity	10 + 1	12 + 1

The Specifications Are Subject To Change Without Notice. The Pictures May Include Options.
The Actual Color & Appearance Of The Product May Differ From What Is Shown.

TITANIUM

	TMT12	TMT14
Tank Body		
Mixing Volume m3 (cu.ft)	12 (423,8)	14 (494,4)
Tank Material Thickness mm (in)	6 (0,2)	6 (0,2)
Mixing Cylinder Speed rpm	14	14
Speed of Concrete Inlet m3/min (cu.ft/min)	2,7 (95,3)	2,7 (95,3)
Speed of Concrete Outlet m3/min (cu.ft/min)	1,2 (42,4)	1,2 (42,4)
Remainder Rate (%)	<p>when the slump constant of concrete is 50mm,Residual rate of discharging \leq5%;</p> <p>when the slump constant of concrete is 60mm,Residual rate of discharging\leq4%;</p> <p>when the slump constant of concrete is 70mm,Residual rate of discharging \leq3%;</p> <p>when the slump constant of concrete is 80mm,Residual rate of discharging \leq2%</p>	<p>when the slump constant of concrete is 50mm,Residual rate of discharging \leq5%;</p> <p>when the slump constant of concrete is 60mm,Residual rate of discharging\leq4%;</p> <p>when the slump constant of concrete is 70mm,Residual rate of discharging \leq3%;</p> <p>when the slump constant of concrete is 80mm,Residual rate of discharging \leq2%</p>
Reducer Model	PMP7Y	PMP7Y
Oil Pump Model	PMH90	PMH90
Motor Model	PMH90	PMH90
Radiator	YS-18L,WB026	YS-18L,WB026
Water Tank Volume L (gal)	350,400,450 (92, 105, 118)	350,400,450 (92, 105, 118)
Water Supply Style	Air pressure	Air pressure
System Pressure Mpa (psi)	0.2 (29,0)	0.2 (29,0)
Ladder Stand	Fixed type	Fixed type
Operating Form	Mechanical	Mechanical
Fuel Tank capacity L (gal)	200 (52,8)	200 (52,8)

The Specifications Are Subject To Change Without Notice. The Pictures May Include Options.
The Actual Color & Appearance Of The Product May Differ From What Is Shown.

TITANIUM